

# Icon TS6032 Acrylx Alcove One-Piece Tub Shower

**Model number:**

141489-000-002-002

**Dimensions:** 60" x 32.75" x 74.25"

**Installation:** Alcove

**Material:** AcrylX™



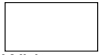
## Standard Features:

- Made of AcrylX applied acrylic for improved durability
- 1-Piece construction for reliable water containment
- Smooth walls for a modern and minimalist look
- Left-hand or right-hand drain configuration
- Ample shelf capacity

## Product characteristics:

- One-Piece Unit
- AcrylX™
- Modern minimalist design

## Standard Colors:



White

## Certifications

AKER products adhere to one or more of the following certifications:



# Icon TS6032 Acrylx Alcove One-Piece Tub Shower

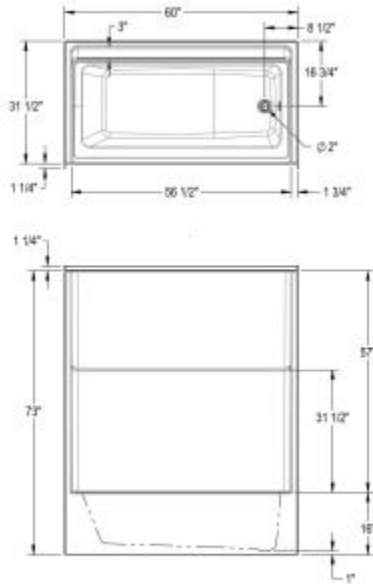
**Model number:**

141489-000-002-002

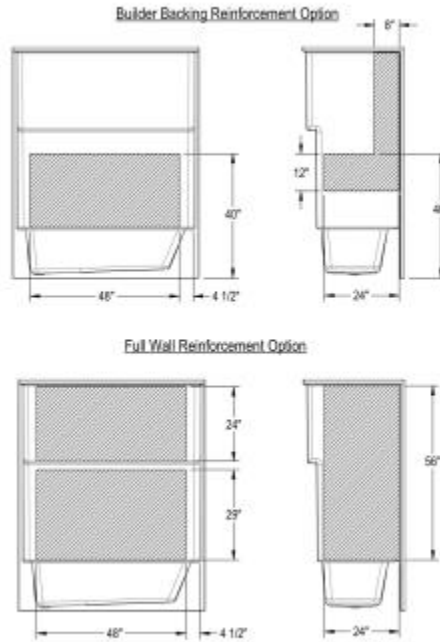
**Dimensions:** 60" x 32.75" x 74.25"

**Installation:** Alcove

**Material:** AcryIX™



All dimensions are approximate. Structure measurements must be verified against the unit to ensure proper fit.



## Dimensions

60 x 32 3/4 x 74 1/4 In.  
(1524 x 832 x 1886 mm)

## Weight

135 lbs - 61 1/4 kg

## Deep Sump Height

10.625 In. - 270 mm

## Drain location:

Left

Right

Project:

Contractor:

Representative:

Date:

Tel:

Notes:

